

IT LED



IP20

RoHS compliant

REACH COMPLIANCE

Made in Germany

CE

UK CA

190° ALLIO LED 1050 50,000

Borrow a sample now

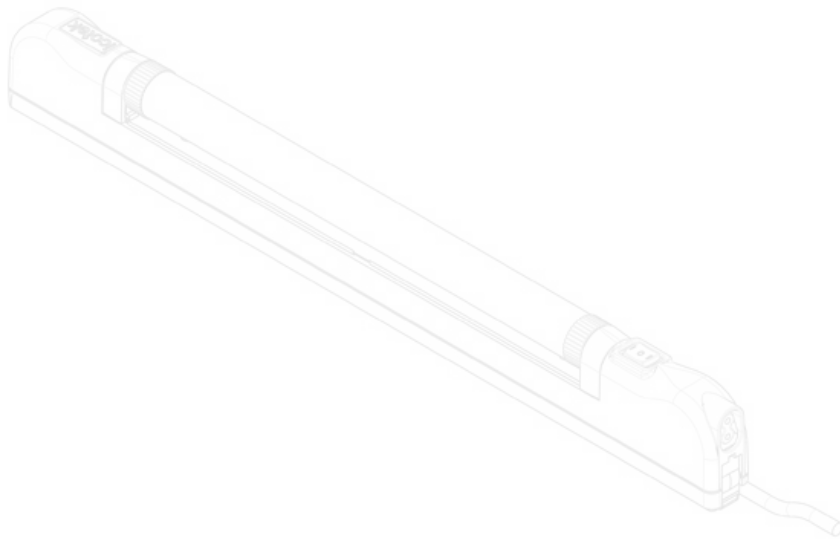


| | |
|---------------|-----------------|
| IP (EN 60529) | IP20 |
| | II() |
| | Enclosure: |
| | -20 C° to 50 C° |
| |) |

IT

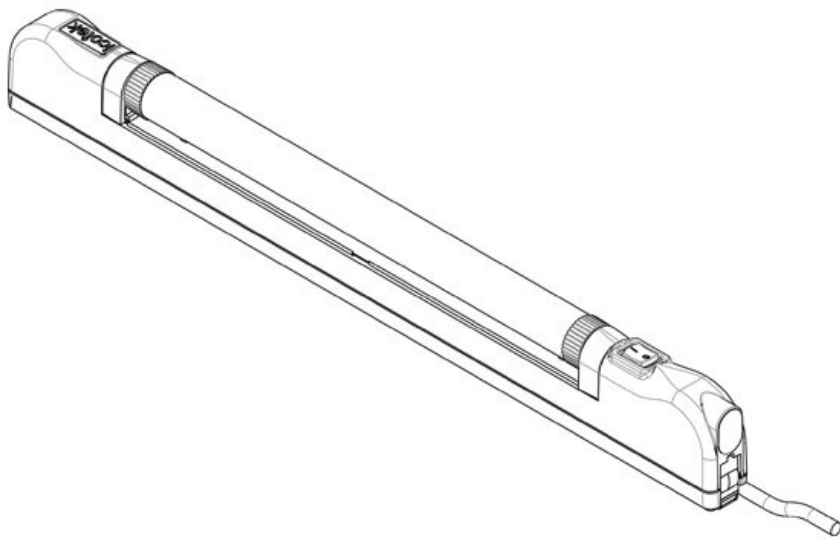
- 190° LED
- : , 19"
-
- 1050 LED
-
-

IT

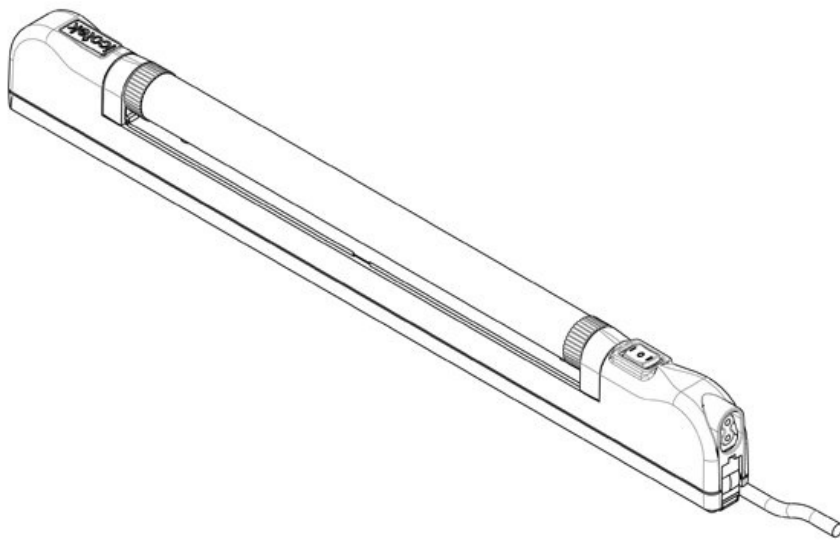


| | | | |
|-----------|-------------------|----------------|---------------------|
| | 81100 | 00 가00 | 00 00 000 |
| EAN | 4251269333 | 000 00 | |
| | 019 | 00 00 | 8 W |
| | 1 | 00 00 | 24 V DC |
| | 448 mm | 000 00 | EN 60598, EN |
| | 56,5 mm | | 55015, EN |
| | 26,2 mm | | 61000, EN |
| 00 00 000 | 3.000 mm | | 62741 |
| | | 00 00 | II(00 000) |
| | | 가0000 | 2014/35/EU, |
| | | | 2014/30/EU |
| | | | 50.000 h |
| | | | E |
| | | | 5.600 K |
| | | 00 000 000 CRI | > 80 |
| | | | 1.000 lm |
| | | | 00(RAL 7035 (|
| | | |) |

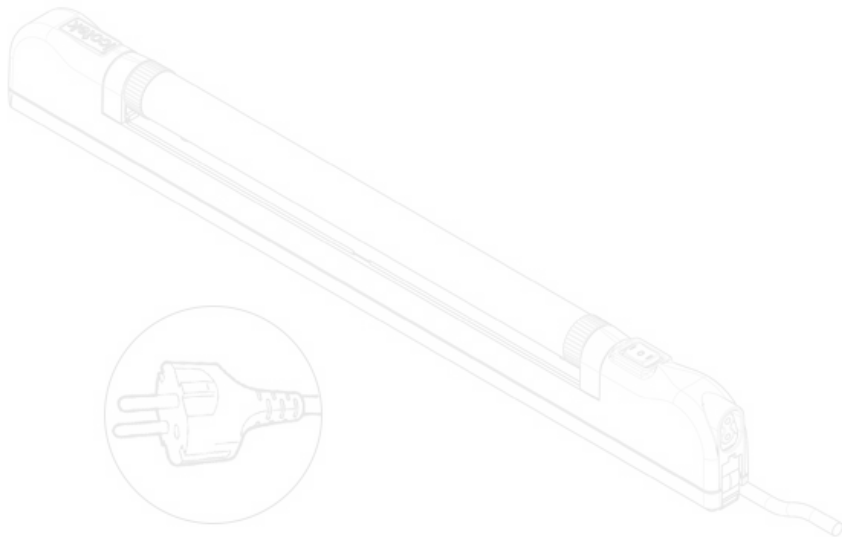
ALLIO 24 V DC (00 000)



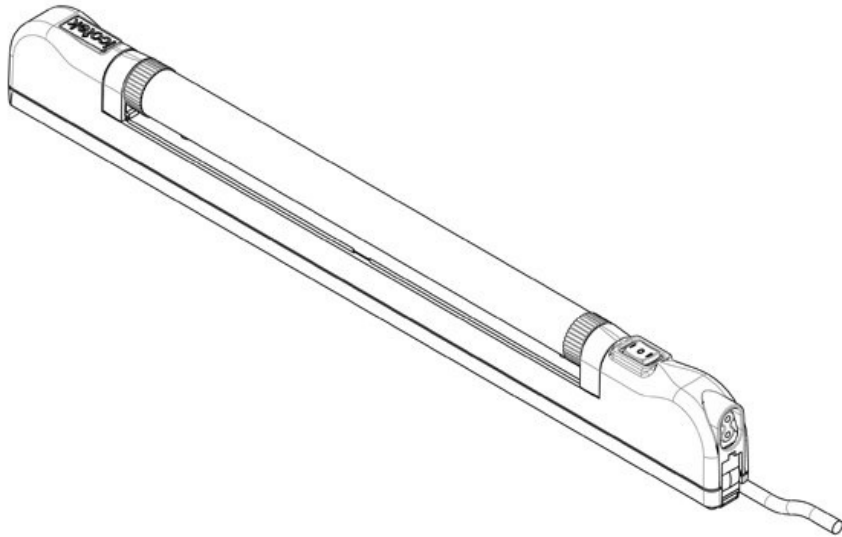
| | | | |
|-----------|-------------------|----------------|---------------------|
| | 81101 | 000 00 | PIR 00 000 |
| EAN | 4251269333 | 000 00 | |
| | 026 | 00 00 | 8 W |
| | 1 | 00 00 | 24 V DC |
| | 448 mm | 000 00 | EN 60598, EN |
| | 56,5 mm | | 55015, EN |
| | 26,2 mm | | 61000, EN |
| 00 00 000 | 3.000 mm | | 62741 |
| | | 00 00 | II(00 000) |
| | | 가0000 | 2014/35/EU, |
| | | | 2014/30/EU |
| | | | 50.000 h |
| | | | E |
| | | | 5.600 K |
| | | 00 000 000 CRI | > 80 |
| | | | 1.000 lm |
| | | | 00(RAL 7035 (|
| | | |) |



| | | | |
|-----------|-------------------|----------------|---------------------|
| | 81102 | 00 가00 | 00 00 000 |
| EAN | 4251269333 | 000 00 | |
| | 033 | 00 00 | 8 W |
| | 1 | 00 00 | 220 - 240 V |
| | 448 mm | | AC, 50 - 60 |
| | 56,5 mm | | Hz |
| | 26,2 mm | 000 00 | EN 60598, EN |
| 00 00 000 | 3.000 mm | | 55015, EN |
| | | | 61000, EN |
| | | | 62741 |
| | | 00 00 | II(00 000) |
| | | 가0000 | 2014/35/EU, |
| | | | 2014/30/EU |
| | | | 50.000 h |
| | | | E |
| | | | 5.600 K |
| | | 00 000 000 CRI | > 80 |
| | | | 1.000 lm |
| | | | 00(RAL 7035 (|
| | | |) |

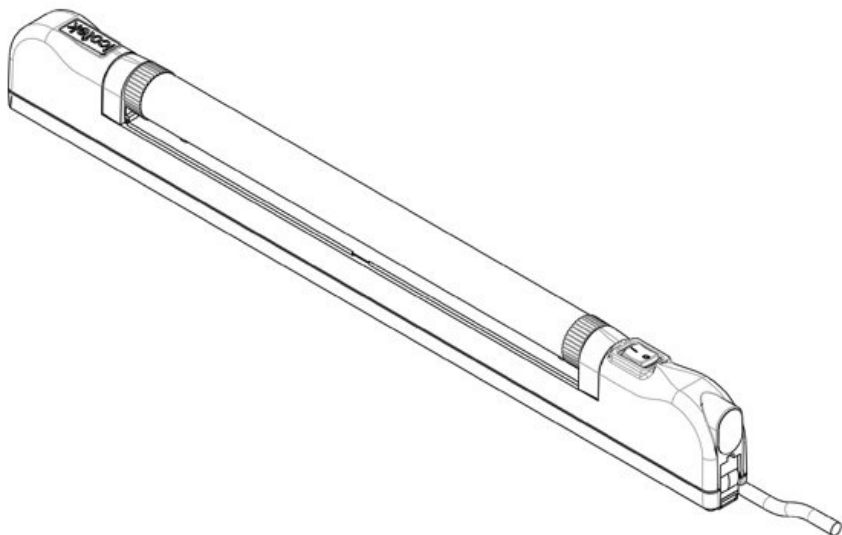


| | | | |
|-----|-------------------|---|---------------------|
| | 81103 | 가 | CEE 7/17 |
| EAN | 4251269333 | | 8 W |
| | 040 | | 220 - 240 V |
| | 1 | | AC, 50 - 60 |
| | 448 mm | | Hz |
| | 56,5 mm | | EN 60598, EN |
| | 26,2 mm | | 55015, EN |
| | 1.500 mm | | 61000, EN |
| | | | 62741 |
| | | | II() |
| | | | 2014/35/EU, |
| | | | 2014/30/EU |
| | | | 50.000 h |
| | | | E |
| | | | 5.600 K |
| | | | CR I > 80 |
| | | | 1.000 lm |
| | | | (RAL 7035) |



| | | | |
|-----|-------------------|---|---------------------|
| | 81104 | 가 | |
| EAN | 4251269333 | | 8 W |
| | 057 | | 100 - 240 V |
| | 1 | | AC, 50 - 60 |
| | 448 mm | | Hz |
| | 56,5 mm | | EN 60598, EN |
| | 26,2 mm | | 55015, EN |
| | 3.000 mm | | 61000, EN |
| | | | 62741 |
| | | | II() |
| | | | 2014/35/EU, |
| | | | 2014/30/EU |
| | | | 50.000 h |
| | | | E |
| | | | 5.600 K |
| | | | CR I > 80 |
| | | | 1.000 lm |
| | | | (RAL 7035) |

ALLIO 100-240 V AC ()



| | | | |
|-----|-------------------|---|---------------------|
| | 81105 | 가 | PIR |
| EAN | 4251269333 | | 8 W |
| | 064 | | 100 - 240 V |
| | 1 | | AC, 50 - 60 |
| | 448 mm | | Hz |
| | 56,5 mm | | EN 60598, EN |
| | 26,2 mm | | 55015, EN |
| | 3.000 mm | | 61000, EN |
| | | | 62741 |
| | | | II() |
| | | | 2014/35/EU, |
| | | | 2014/30/EU |
| | | | 50.000 h |
| | | | E |
| | | | 5.600 K |
| | | | CR I > 80 |
| | | | 1.000 lm |
| | | | (RAL 7035) |

19" 00 00 0000 bk

EAN

81135

00 00

4

4251269333

000 00

6,5 mm

101

1

484 mm

6 mm

44 mm



19" 00 00 0000 gy

EAN

81134

00 00

4

4251269333

000 00

6,5 mm

095

1

484 mm

6 mm

44 mm

00(RAL 7035 00

00)



icotek[®]
smart cable management