

# KEL-SNAP | Mounting frames

for tool-free snap-in mounting of cable entry frames / IP54 / UL Type 12



IP54

UL TYPE  
12

C  
UL  
US

HL3  
EN 45545-2

EN 61373

ECOLAB  
certified

RoHS  
compliant

REACH  
COMPLIANCE

Made in  
Germany

The patented KEL-SNAP frame provides a quick snap-in assembly of the [KEL](#) / [KEL-U](#) / [KEL-QUICK](#) / [KEL-FG-A](#) cable entry systems.

Control panels, cabinets or machines can be equipped with the KEL-SNAP frame at delivery, allowing a simple push in of the KEL frame when routing the cables and conduits. Perfect for enclosures that are maintenance intensive or for an install at a later date.

icotek is also offering the snap-in frame as splittable version KEL-SNAP-S in various sizes that makes a subsequent assembly possible.

There's also a [blank plate BPK-SNAP](#) available to close cut-outs of pre-assembled KEL-SNAP frames.

A cut-out of 46 mm also can be chosen instead of 36 mm. Thus prefabricated multi-pin connectors can be used.

## Specifications

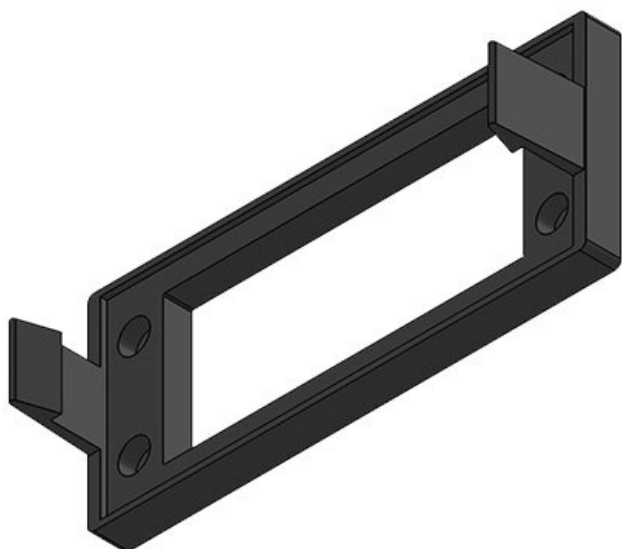
IP rating (EN 60529)	IP54
UL Type (UL 50E)	UL Type 12
Material	Polyamide
Flame class	UL94-V0, self-extinguishing
Operating temperature	-40 C° to 140 C°
Properties	silicone free, halogen free
Mounting options	Screw type mounting
Mounting height	38 mm

## Advantages & benefits

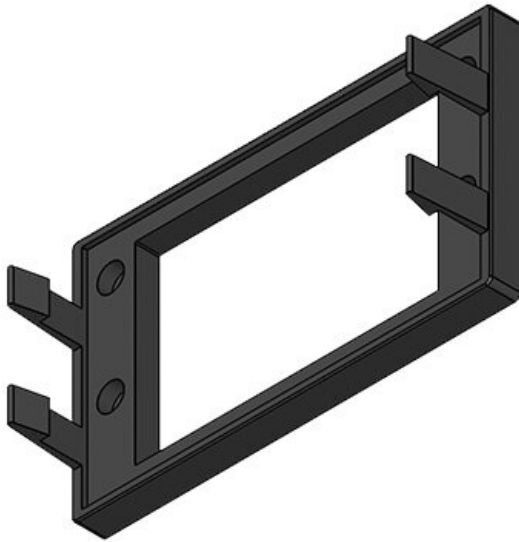
- Upon disassembly (e.g. maintenance) screwing and unscrewing of the cable entry frame is not necessary
- Drilling template identical to cable entry frame (except KEL-SNAP-B)
- Integrated gasket
- Previously assembled cable harnesses are quickly and easily attached
- KEL-SNAP-S: Subsequent assembly possible
- KEL-SNAP-S: There is no need to thread the cables through the snap-on frame as the divisible frame can be snapped together when the lines have already been passed through the cut-out

## Product types & sizes

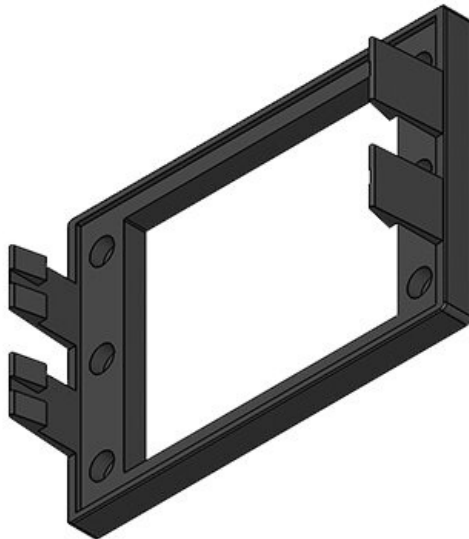
KEL-SNAP 24



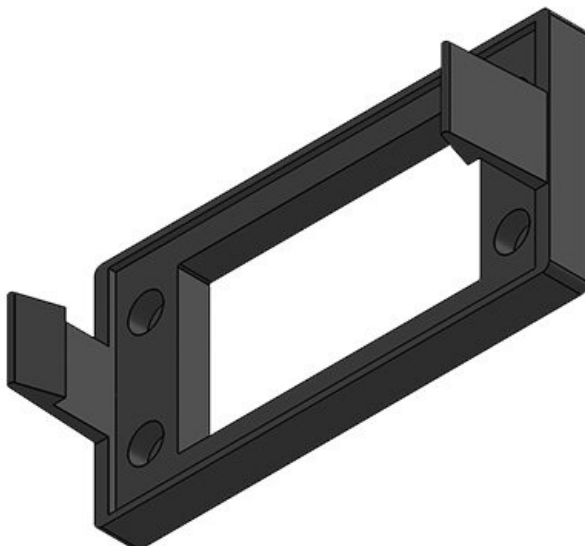
Part No.	<b>42042</b>	No. of screw	<b>4</b>
EAN	<b>4251269307</b>	holes	
	<b>652</b>	Diam. of screw	<b>5,5 mm</b>
Package quantity	<b>10</b>	holes	
Length	<b>155 mm</b>	Suitable for	<b>KEL 24, KEL-U 24, KEL-QUICK 24,</b>
Width	<b>64 mm</b>	cable entry	<b>KEL-FA 24,</b>
Height	<b>38 mm</b>	systems:	<b>KEL-FG-A</b>
Mounting height	<b>38 mm</b>		

**KEL-SNAP 24-E**

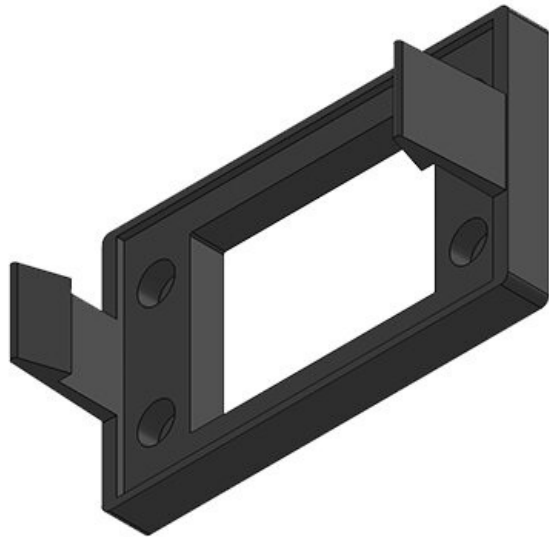
Part No.	<b>42044</b>	No. of screw	<b>4</b>
EAN	<b>4251269307669</b>	holes	
Package quantity	<b>1</b>	Diam. of screw	<b>5,5 mm</b>
Length	<b>155 mm</b>	holes	
Width	<b>89 mm</b>	Suitable for cable entry systems:	<b>KEL 24-E</b>
Height	<b>38 mm</b>		
Mounting height	<b>38 mm</b>		

**KEL-SNAP 24-MT**

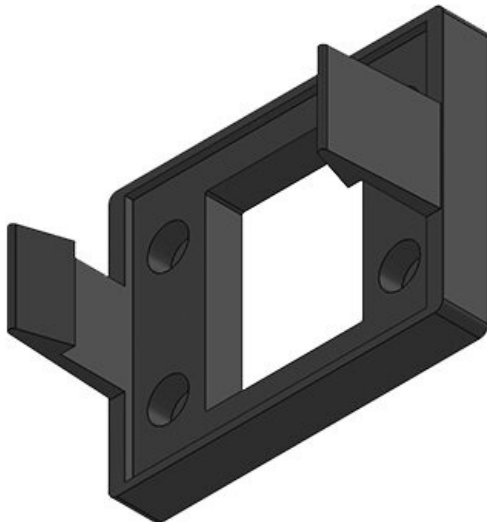
Part No.	<b>42046</b>	No. of screw	<b>6</b>
EAN	<b>4251269307676</b>	holes	
Package quantity	<b>1</b>	Diam. of screw	<b>5,5 mm</b>
Length	<b>155 mm</b>	holes	
Width	<b>108 mm</b>	Suitable for cable entry systems:	<b>KEL 24-MT</b>
Height	<b>38 mm</b>		
Mounting height	<b>38 mm</b>		

**KEL-SNAP 16**

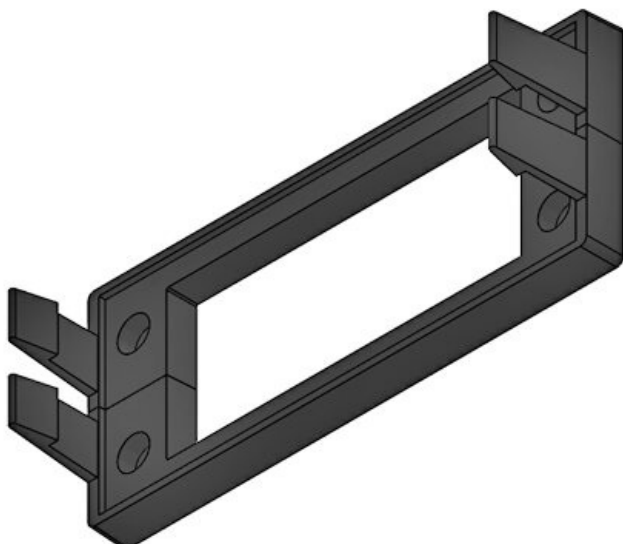
Part No.	<b>42040</b>	No. of screw	<b>4</b>
EAN	<b>4251269307645</b>	holes	
Package quantity	<b>10</b>	Diam. of screw	<b>5,5 mm</b>
Length	<b>128 mm</b>	holes	
Width	<b>64 mm</b>	Suitable for cable entry systems:	<b>KEL 16, KEL-U 16, KEL-FA 16, KEL-QUICK 16</b>
Height	<b>38 mm</b>		
Mounting height	<b>38 mm</b>		

**KEL-SNAP 10**

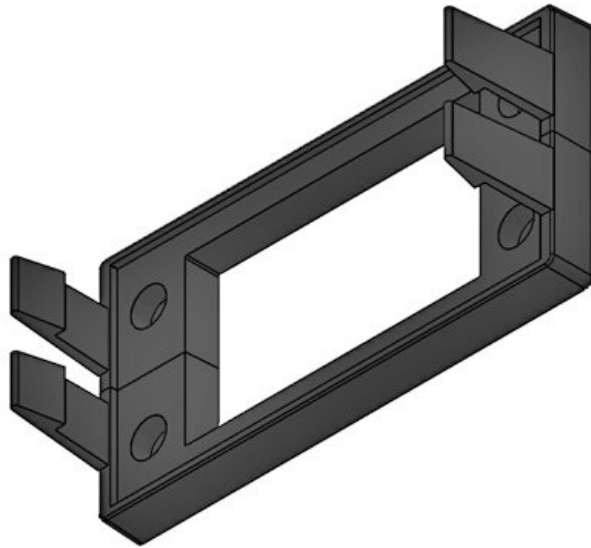
Part No.	<b>42039</b>	No. of screw	<b>4</b>
EAN	<b>4251269307</b>	holes	
	<b>638</b>	Diam. of screw	<b>5,5 mm</b>
Package quantity	<b>10</b>	holes	
Length	<b>108 mm</b>	Suitable for cable entry systems:	<b>KEL 10, KEL-U 10, KEL-FA 10, KEL-QUICK 10</b>
Width	<b>64 mm</b>		
Height	<b>38 mm</b>		
Mounting height	<b>38 mm</b>		

**KEL-SNAP-B**

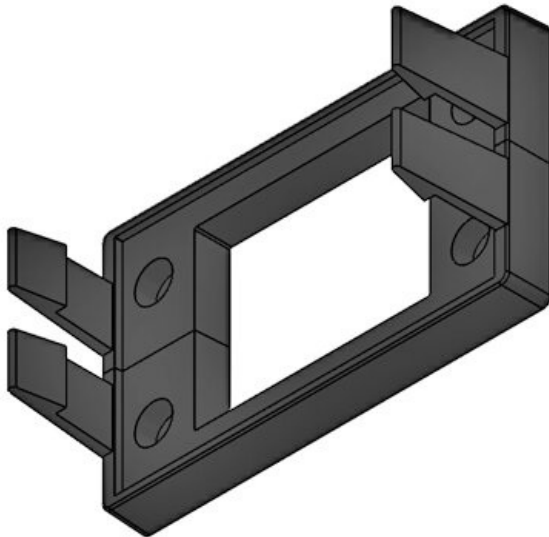
Part No.	<b>42038</b>	No. of screw	<b>4</b>
EAN	<b>4251269307</b>	holes	
	<b>621</b>	Diam. of screw	<b>5,5 mm</b>
Package quantity	<b>10</b>	holes	
Length	<b>81 mm</b>	Suitable for cable entry systems:	<b>KEL-B, KEL-U-B, KEL-QUICK-B</b>
Width	<b>64 mm</b>		
Height	<b>38 mm</b>		
Mounting height	<b>38 mm</b>		

**KEL-SNAP-S 24**

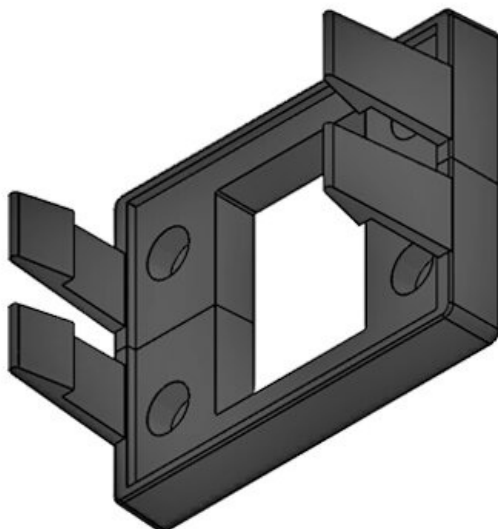
Part No.	<b>42060</b>	No. of screw	<b>4</b>
EAN	<b>4251269323</b>	holes	
	<b>720</b>	Diam. of screw	<b>5,5 mm</b>
Package quantity	<b>10</b>	holes	
Length	<b>155 mm</b>	Suitable for cable entry systems:	<b>KEL 24, KEL-U 24, KEL-QUICK 24, KEL-FA 24, KEL-FG-A</b>
Width	<b>64 mm</b>		
Height	<b>38 mm</b>		
Mounting height	<b>38 mm</b>		

**KEL-SNAP-S 16**

Part No.	<b>42061</b>	No. of screw	<b>4</b>
EAN	<b>4251269323</b>	holes	
	<b>737</b>	Diam. of screw	<b>5,5 mm</b>
Package quantity	<b>10</b>	holes	
Length	<b>128 mm</b>	Suitable for cable entry systems:	<b>KEL 16, KEL-U 16, KEL-FA 16, KEL-QUICK 16</b>
Width	<b>64 mm</b>		
Height	<b>38 mm</b>		
Mounting height	<b>38 mm</b>		

**KEL-SNAP-S 10**

Part No.	<b>42062</b>	No. of screw	<b>4</b>
EAN	<b>4251269323</b>	holes	
	<b>744</b>	Diam. of screw	<b>5,5 mm</b>
Package quantity	<b>10</b>	holes	
Length	<b>108 mm</b>	Suitable for cable entry systems:	<b>KEL 10, KEL-U 10, KEL-FA 10, KEL-QUICK 10</b>
Width	<b>64 mm</b>		
Height	<b>38 mm</b>		
Mounting height	<b>38 mm</b>		

**KEL-SNAP-S-B**

Part No.	<b>42063</b>	No. of screw	<b>4</b>
EAN	<b>4251269323</b>	holes	
	<b>751</b>	Diam. of screw	<b>5,5 mm</b>
Package quantity	<b>10</b>	holes	
Length	<b>81 mm</b>	Suitable for cable entry systems:	<b>KEL-B, KEL-U-B, KEL-QUICK-B</b>
Width	<b>64 mm</b>		
Height	<b>38 mm</b>		
Mounting height	<b>38 mm</b>		

